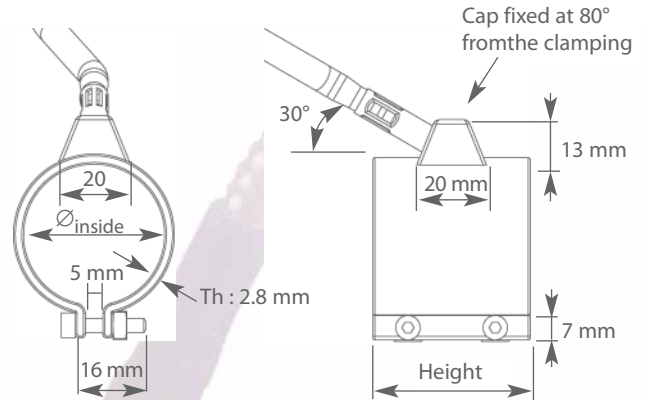


STANDARD ENCAPSULATED SEALED NOZZLE HEATERS

- Max. watt density over the surface of the heater: 6.5 W/cm²
- Max. operating temperature over the surface of the heater: 340°C, depending on working conditions.
- Diameter : 25 to 100 mm
Height : 20 to 80 mm
Wattage : 65 to 970 W, 230 V single phase
For other dimensions, not kept in stock, see p 5
- Sealed band heater in brass, with folded ends. Band heater connection, waterproof technology.
- Electric insulation by mica plate.
- Connection : nickel core, fiberglass insulated + earth wire; protected by a galvanized steel braid.
- Connection cap : axial 30°, centred on the height of the band heater, up to 38 mm height. Over 38 mm height, it is placed at 20 mm from the edge. (See sketch). (Except L2570C26G10*)
- Square angle flange clamping, screw BTR M4, self-locking square nuts.
- Our products are in accordance with EN 60335-1
Wattage tolerance: +5% -10%
Leakage current < 0.75 mA/kW
- Special manufactures :
 - Sealed stainless steel nozzle heater (see picture on next page).
 - Max. watt density : 5 W/cm².
 - Specific sealed nozzle heaters not kept in stock, see p 5.
 - Accessories and options, see p 12.
 - How to define a special band heater: see p 18.



- Dimensions of a standard insulated mica nozzle heater :



To each diameter of band heater corresponds a clamping capacity. For instance, a band heater with a diameter of 30 mm can be fitted on a nozzle of 30 mm to 31 mm. In charts below, the diameter of a band heater is written in green and below it, its clamping capacity is written in black between brackets.

Diameter Ø (mm)	Height H (mm)	Power P (W)	Braid L (mm)	Part number
25 (25 to 26)	20	65	500	L2520C6A5
	25	85	500	L2525C8A5
	30	105	500	L2530C10A5
	35	125	500	L2535C12A5
	38	145	500	L2538C14A5
	70	260	1000	L2570C26G10*
26 (26 to 27)	30	115	500	L2630C11A5
	35	135	500	L2635C13A5
28 (28 to 29)	20	75	500	L2820C7A5
		75	1000	L2820C7A10
		75	2000	L2820C7A20
	25	100	500	L2825C10A5
		125	500	L2830C12A5
		150	500	L2835C15A5
		170	500	L2838C17A5
		220	500	L2850C22A5
30 (30 to 31)	20	85	500	L3020C8A5
		110	500	L3025C11A5
		110	1500	L3025C11A15
	30	135	500	L3030C13A5
		135	1000	L3030C13A10
		135	1500	L3030C13A15
	35	160	500	L3035C16A5
		160	1000	L3035C16A10
		185	500	L3038C18A5
		185	1000	L3038C18A10
		235	500	L3050C23A5

Diameter Ø (mm)	Height H (mm)	Power P (W)	Braid L (mm)	Part number	
30 (30 to 31)	50	235	1000	L3050C23A10	
		285	500	L3060C28A5	
	60	285	1000	L3060C28A10	
		310	500	L3065C31A5	
32 (31 to 32)	20	90	500	L3220C9A5	
		115	500	L3225C11A5	
		145	500	L3230C14A5	
	30	145	1000	L3230C14A10	
			2000	L3230C20A20	
			2000	L3230C20A20	
		35	170	500	L3235C17A5
			195	500	L3238C19A5
			195	1000	L3238C19A10
	50	195	2000	L3238C19A20	
			250	500	L3250C25A5
		60	300	500	L3260C30A5
300			2000	L3260C30A20	
34 (34 to 35)		20	95	500	L3420C9A5
			125	500	L3425C12A5
	125		1000	L3525C12A10	
	30	125	1500	L3425C12A15	
		155	500	L3430C15A5	
		155	1000	L3430C15A10	
	35	180	500	L3435C18A5	
			2000	L3435C18A20	
		38	185	2000	L3438C18A20
			210	500	L3438C21A5
	50	265	500	L3450C26A5	
		325	1000	L3460C32A10	

Diameter Ø (mm)	Height (mm)	Watt. W (W)	Braid L (mm)	Part number	
38 (38 to 39)	25	140	500	L3825C14A5	
		170	500	L3830C17A5	
	30	200	500	L3835C20A5	
		235	500	L3838C23A5	
40 (40 to 41)	20	125	500	L4020C12A5	
		125	1000	L4020C12A10	
		125	2000	L4020C12A20	
		160	500	L4025C16A5	
		160	1000	L4025C16A10	
		160	1000	L4025C16A10	
	25	200	500	L4030C20A5	
		200	1000	L4030C20A10	
		200	2000	L4030C20A20	
		235	500	L4035C23A5	
	35	235	2000	L4035C23A20	
			235	2000	L4035C23A20
		38	200	500	L4038C20A5
			270	500	L4038C27A5
		270	1000	L4038C27A10	
		270	1500	L4038C27A15	
		270	2000	L4038C27A20	
		45	305	500	L4045C30A5
				1000	L4045C30A10
			305	2000	L4045C30A20
345	500			L4050C34A5	
50	345	1000	L4050C34A10		
		2000	L4050C34A20		
	55	380	1000	L4055C38A10	
		415	500	L4060C41A5	
	60	415	1000	L4060C41A10	
		415	1500	L4060C41A15	

* Cap off center at 0 mm from the edge of the band heater. One end of the clamping tab is bevel-edged at 45°

Our products specifications are subject to change without notice. We reserve the right to modify them according to the technical evolution

STANDARD ENCAPSULATED SEALED NOZZLE HEATERS

Diameter Ø (mm)	Height H (mm)	Watt. W (W)	Braid L (mm)	Part number
40 (40 to 41)	60	415	2000	L4060C41A20
	65	430	500	L4065C43A5
	70	450	500	L4070C45A5
		450	2000	L4070C45A20
42 (42 to 43)	25	155	500	L4225C15A5
	30	190	500	L4230C19A5
	38	260	500	L4238C26A5
	50	330	500	L4250C33A5
		330	2000	L4250C33A20
44 (44 to 45)	20	125	500	L4420C12A5
	25	160	500	L4425C16A5
	30	200	500	L4430C20A5
		200	1000	L4430C20A10
		200	1500	L4430C20A15
		235	500	L4435C23A5
	35	270	1000	L4438C27A10
	38	300	500	L4438C30A5
	45	310	500	L4445C31A5
		310	1000	L4445C31A10
	50	345	500	L4450C34A5
		345	1000	L4450C34A10
	55	385	500	L4455C38A5
60	420	500	L4460C42A5	
48 (48 to 49)	20	135	1000	L4820C13A10
	25	180	500	L4825C18A5
	30	220	1000	L4830C22A10
	38	300	2000	L4838C30A20
50 (50 to 51)	20	140	500	L5020C14A5
	25	185	500	L5025C18A5
		185	1000	L5025C18A10
	30	225	500	L5030C22A5
		225	1000	L5030C22A10
	35	270	500	L5035C27A5
		270	1000	L5035C27A10
	38	310	500	L5038C31A5
		310	1000	L5038C31A10
		310	1500	L5038C31A15
		310	2000	L5038C31A20
	45	350	500	L5045C35A5
	50	390	500	L5050C39A5
	390	1000	L5050C39A10	
60	475	500	L5060C47A5	
	475	1000	L5060C47A10	

Diameter Ø (mm)	Height H (mm)	Watt. W (W)	Braid L (mm)	Part number
50 (50 to 51)	60	475	2000	L5060C47A20
	65	510	500	L5065C51A5
	70	560	500	L5070C56A5
	75	600	2000	L5075C60A20
54 (54 to 55)	25	200	500	L5425C20A5
		200	1000	L5425C20A10
	30	245	500	L5430C24A5
	38	335	500	L5438C33A5
		335	2000	L5438C33A20
45	380	500	L5445C38A5	
56 (56 to 57)	38	350	500	L5638C35A5
58 (58 to 59)	38	360	500	L5838C36A5
60 (60 to 61)	20	170	1000	L6020C17A10
		250	500	L6020C25A5
	25	220	500	L6025C22A5
	30	275	500	L6030C27A5
		275	1000	L6030C27A10
		325	2000	L6030C32A20
	35	325	500	L6035C32A5
		325	1500	L6035C32A15
64 (64 to 65)	38	375	500	L6038C37A5
		375	1000	L6038C37A10
		375	1500	L6038C37A15
	45	425	500	L6045C42A5
		425	2000	L6045C42A20
	50	475	500	L6050C47A5
		475	1000	L6050C47A10
		475	1000	L6050C47A10
64 (64 to 65)	20	185	500	L6420C18A5
	25	240	500	L6425C24A5
	38	400	1500	L6438C40A15
	45	455	500	L6445C45A5
68 (68 to 69)	30	310	500	L6830C31A5

Diameter Ø (mm)	Height H (mm)	Watt. W (W)	Braid L (mm)	Part number
70 (70 to 71)	30	320	500	L7030C32A5
		320	1000	L7030C32A10
	35	380	500	L7035C38A5
	38	440	500	L7038C44A5
		440	1000	L7038C44A10
		440	1500	L7038C44A15
		550	1500	L7038C55A15
	45	500	500	L7045C50A5
	50	560	500	L7050C56A5
	65	730	500	L7065C73A5
70	785	500	L7070C78A5	
72 (72 to 73)	30	330	1000	L7230C33A10
74 (74 to 75)	30	340	1000	L7430C34A10
	50	590	500	L7450C59A5
80 (80 to 81)	30	365	500	L8030C36A5
	35	435	2000	L8035C43A20
	38	500	500	L8038C50A5
		500	1000	L8038C50A10
80 (80 to 81)	45	570	500	L8045C57A5
	50	630	500	L8050C63A5
		630	1000	L8050C63A10
90 (90 to 91)	30	415	1000	L9030C41A10
	45	645	1000	L9045C64A10
	60	875	500	L9060C87A5
94 (94 to 95)	55	830	1000	L9455C83A10
100 (100 to 101)	30	460	500	L10030C46A5
	60	970	500	L10060C97A5
		970	1000	L10060C97A10



Stainless steel sealed nozzle heater
(Special manufacture)



Sealed nozzle heater, in
brass.

Our products specifications are subject to change without notice. We reserve the right to modify them according to the technical evolution